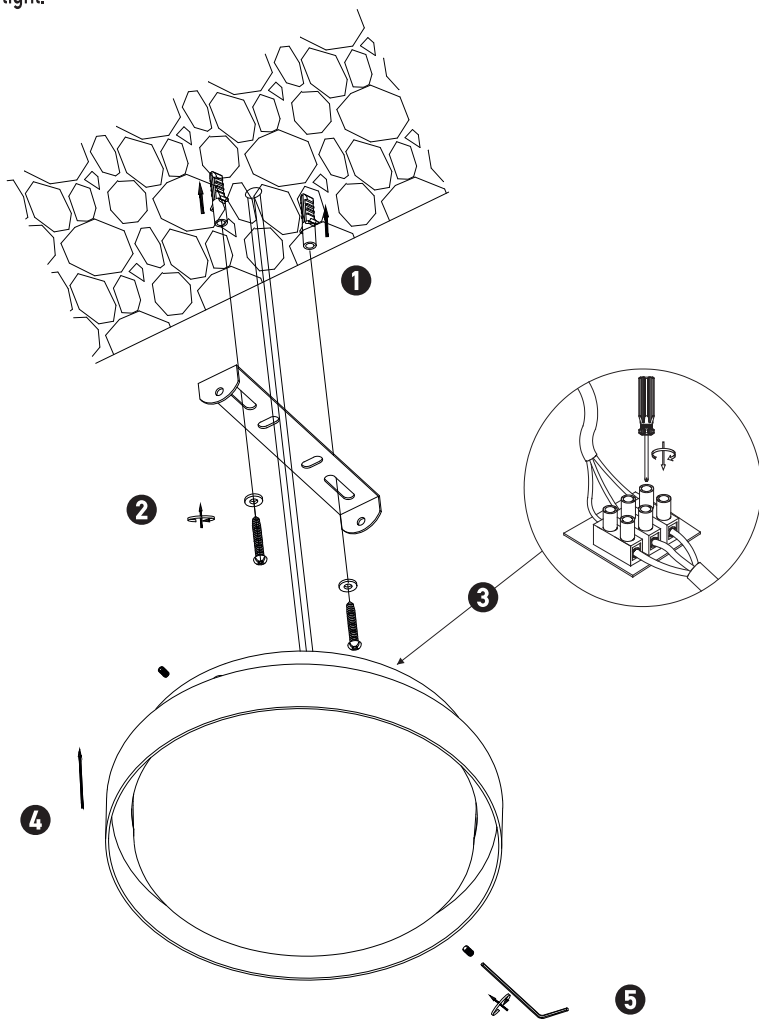
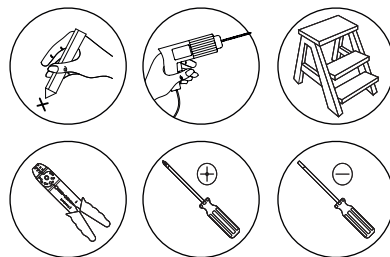


Connecting the Terminal Block

Connect main supply (brown - Live, blue - Neutral) into terminal block making sure all connections are tight.



OUTDOOR CEILING LIGHT E326

Please read instructions before commencing installation and retain for future reference.

SPECIFICATIONS

- **Material:** Aluminium + PC Diffuser
- **Lamp Type:** LED , 20W , 3000K , 2041Lm , CRI 80
- **Ingress Protection:** IP65. Protection against entry of solid objects greater than 12mm in diameter.

INSTALLATION INSTRUCTIONS

⚠ Electrical products can cause death, injury, or damage to property. Installation of this product must be carried out by a qualified electrician.

- Ensure main supply is switched off.
- Insert masonry plugs into mounting surface (1).
- Fit mounting bracket onto mounting surface with self-tapping screws (2).
- Connect main supply wires to terminal block (3) making sure all connections are tight.
- Fit the light onto mounting bracket with the smallest screws (4).
- Use the Allen tool to screw and safe the light (5).
- Reconnect power.

⚠ The light source contained in this luminaire shall only be replaced by the manufacturer or his service agent or a similar qualified person.

WARNING

- Make sure that the products is installed properly before connecting to electricity.
- Do not cover the fitting.
- Not for outdoor use or in wet conditions.

